

SPECIFICATION SHEET FOR SQUARE AND RECTANGULAR BELLOWS AND

WAYCOVERS

BELLOWS MATERIALS

NEOPRENE COATED NYLON

BLACK

___ .018 ___ .022 ___ .040

HYPALON COATED NYLON

(BLACK)

___ .022

ALUMINUM COATED FIBERGLASS

___ .020

TEFLON COATED FIBERGLASS

___ .020

SILICONE IMPREGNATED

FIBERGLASS

___ .010 ___ .018

PVC

TRANSLUCENT

___ .008 ___ .012

___ .016 ___ .020

POLYURETHANE

TRANSLUCENT

___ .005 ___ .010

___ .020 (HIGH TEMP)

BLACK

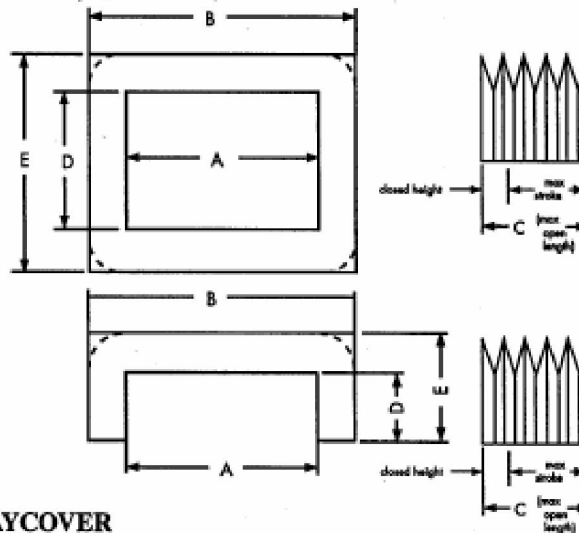
___ .010 ___ .015 ___ .020 ___ .040

___ .010 (HIGH TEMP)

___ .022 (POLY COATED NYLON)

RED

___ .022 (HIGH TEMP)



WAYCOVER ___
BELLOW ___ (Check One)

QTY.(S) OF BELLOWS:

DIMENSIONAL DATA

A _____
B _____
C _____
D _____
E _____

STROKE _____
CLOSED HEIGHT _____

APPLICATION:

HORIZONTAL _____
VERTICAL _____
SMOOTH ROD _____
THREADED ROD _____

SPECIFY POPULAR
OPTIONS:

ZIPPER _____
BREATHER VENTS _____
BALL SCREW GUIDE _____
HOSE CLAMPS _____
STIFFENERS _____
FLANGE PLATES _____
OTHER _____

OPERATING CONDITIONS:

DUST _____ DIRT _____ OIL _____ (WHAT KIND?) _____ WATER _____
CERAMIC DUST OR POWDER _____ CHEMICALS _____ (WHAT KIND?) _____
MUST BELLOWS BE COMPLETELY AIR OR MOISTURE TIGHT? _____ IS VENTING POSSIBLE? _____
#OF STROKES PER MINUTE _____ POSSIBLE MECHANICAL ABUSE? _____
OPERATING TEMP. LIMITS _____ (MAX.)- _____ (MIN.)
PLEASE LIST ANY SPECIAL CONDITIONS. _____

COMPANY: _____
STREET: _____
CITY _____ STATE. _____ ZIP: _____
CONTACT: _____
TEL: _____
FAX: _____

GAGNE, INC.

41 Commercial Drive, Johnson City, NY 13790

Ph: (607) 729-3366 Fax: (607) 729-7644

Ph: (800) 800-5954

or visit our website at www.gagneinc.com

(See reverse side)

SPECIFICATION SHEET FOR ROUND BELLOWS

TYPICAL END CONNECTIONS

BELLOWS MATERIALS

NEOPRENE COATED NYLON
(BLACK)

___ .018 ___ .022 ___ .040

HYPALON COATED NYLON
(BLACK)

___ .022

ALUMINUM COATED FIBERGLASS

___ .020

TEFLON COATED FIBERGLASS

___ .20

SILICONE IMPREGNATED FIBERGLASS

___ .010 ___ .018

PVC

TRANSLUCENT

___ .008 ___ .012

___ .016 ___ .020

POLYURETHANE

TRANSLUCENT

___ .005 ___ .010

___ .020 (HIGH TEMP)

BLACK

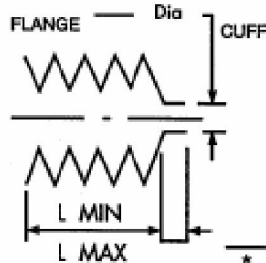
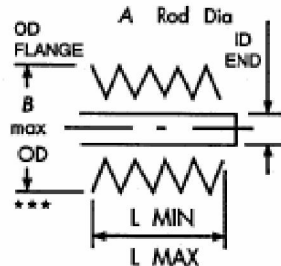
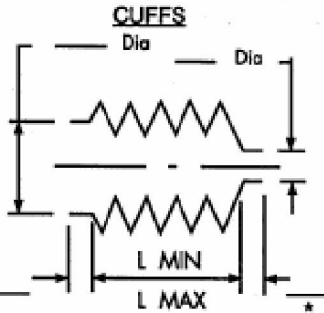
___ .010 ___ .015 ___ .020 ___ .040

___ .010 (HIGH TEMP)

___ .022 (POLY COATED NYLON)

RED

___ .022 (HIGH TEMP)



QTY.(S) OF BELLOWS:

DIMENSIONAL DATA

A. ROD DIA. _____

I.D. _____

B. MAX.* OD _____

LENGTH OPEN _____

LENGTH CLSD. _____

* FOR LOWEST COST SPECIFY

LARGEST POSSIBLE O.D.

PLEASE SPECIFY CUFF OR

FLANGE INFORMATION DIRECTLY

ON DIAGRAMS

APPLICATION:

HORIZONTAL _____

VERTICAL _____

SMOOTH ROD _____

THREADED ROD _____

SPECIFY POPULAR

OPTIONS:

ZIPPER _____

BREATHER VENTS _____

BALL SCREW GUIDE _____

HOSE CLAMPS _____

STIFFENERS _____

FLANGE PLATES _____

OTHER _____

OPERATING CONDITIONS:

DUST _____ DIRT _____ OIL _____ (WHAT KIND?) _____ WATER _____

CERAMIC DUST OR POWDER _____ CHEMICALS _____ (WHAT KIND?) _____

MUST BELLOWS BE COMPLETELY AIR OR MOISTURE TIGHT? _____ IS VENTING POSSIBLE? _____

#OF STROKES PER MINUTE _____ POSSIBLE MECHANICAL ABUSE? _____

OPERATING TEMP. LIMITS _____ (MAX.)- _____ (MIN.)

PLEASE LIST ANY SPECIAL CONDITIONS. _____

COMPANY: _____

STREET: _____

CITY _____ STATE _____ ZIP: _____

CONTACT: _____

TEL: _____

FAX: _____

GAGNE, INC.

41 Commercial Drive, Johnson City, NY 13790

Ph: (607) 729-3366 Fax: (607) 729-7644

Ph: (800) 800-5954

or visit our website at www.gagneinc.com

(See reverse side)